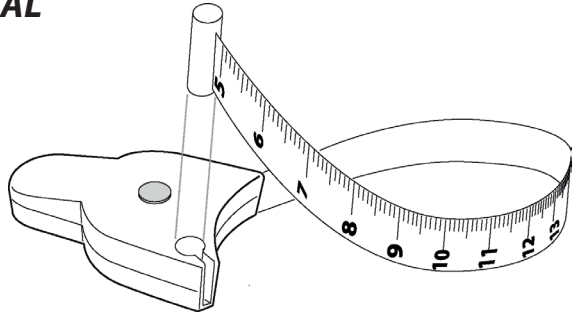




GIMA

PROFESSIONAL MEDICAL PRODUCTS

MISURATORE A NASTRO
BODY TAPE MEASURE
MESURE DU CORPS PAR RUBAN
CINTA MÉTRICA DEL CUERPO
FITA MÉTRICA CORPORAL
ΜΕΖΟΥΡΑ ΣΩΜΑΤΟΣ



ENGLISH

The measuring tape is a device used to measure the circumference up to a max. of 152 cm. it can be used on all the circular parts of the body (abdomen, biceps, etc.).

Do not pull hard because the spring or tape could break or get damaged.

Keep out of reach of children.

Slowly pull the tape and wrap it around the part of the body to measure without twisting it; press the button to release the tape easily. Slide the end of the tape in the appropriate seat (round hole) following the direction and press the button to rewind the tape until it is tight.

Read the measurement right by the outlet of the tape.

We recommend cleaning the instrument with a delicate detergent that does not harm or ruin the tape and the print. Always rewind tape after use.

The measurements are only indicative.

GIMA WARRANTY TERMS

The Gima 12-month standard B2B warranty applies.

GIMA 27343

Fabbricante/Manufacturer/Fabricant/
Fabricante/Fabricante/Κατασκευαστής

YUYAO BOLI MEASURING TOOL FACTORY

No.18 ,Tangjiazha Road,Macaotou Village,Mazhu Town,Yuyao City
315400 Ningbo,Zhejiang Province,China
771216136@qq.com

REF **TM008**

Importato da / Imported by / Importé de / Importado de / Importado de / Εισαγόμενα από:

Gima S.p.A.

Via Marconi, 1 - 20060 Gessate (MI) Italy

gima@gimaitaly.com - export@gimaitaly.com - www.gimaitaly.com

Made in China

